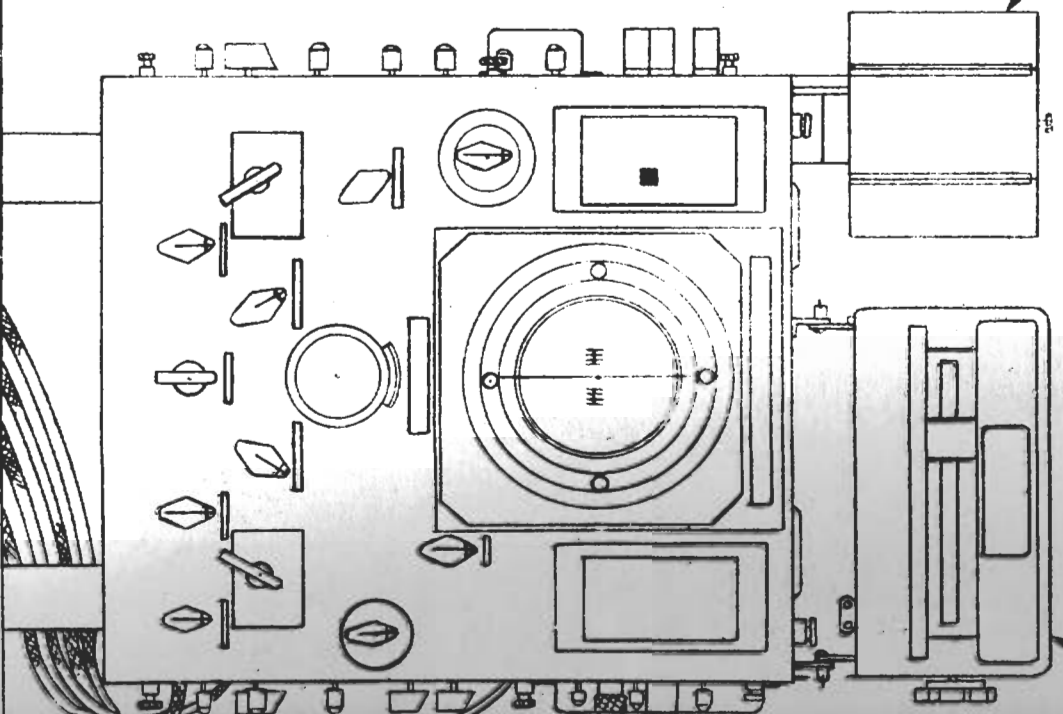


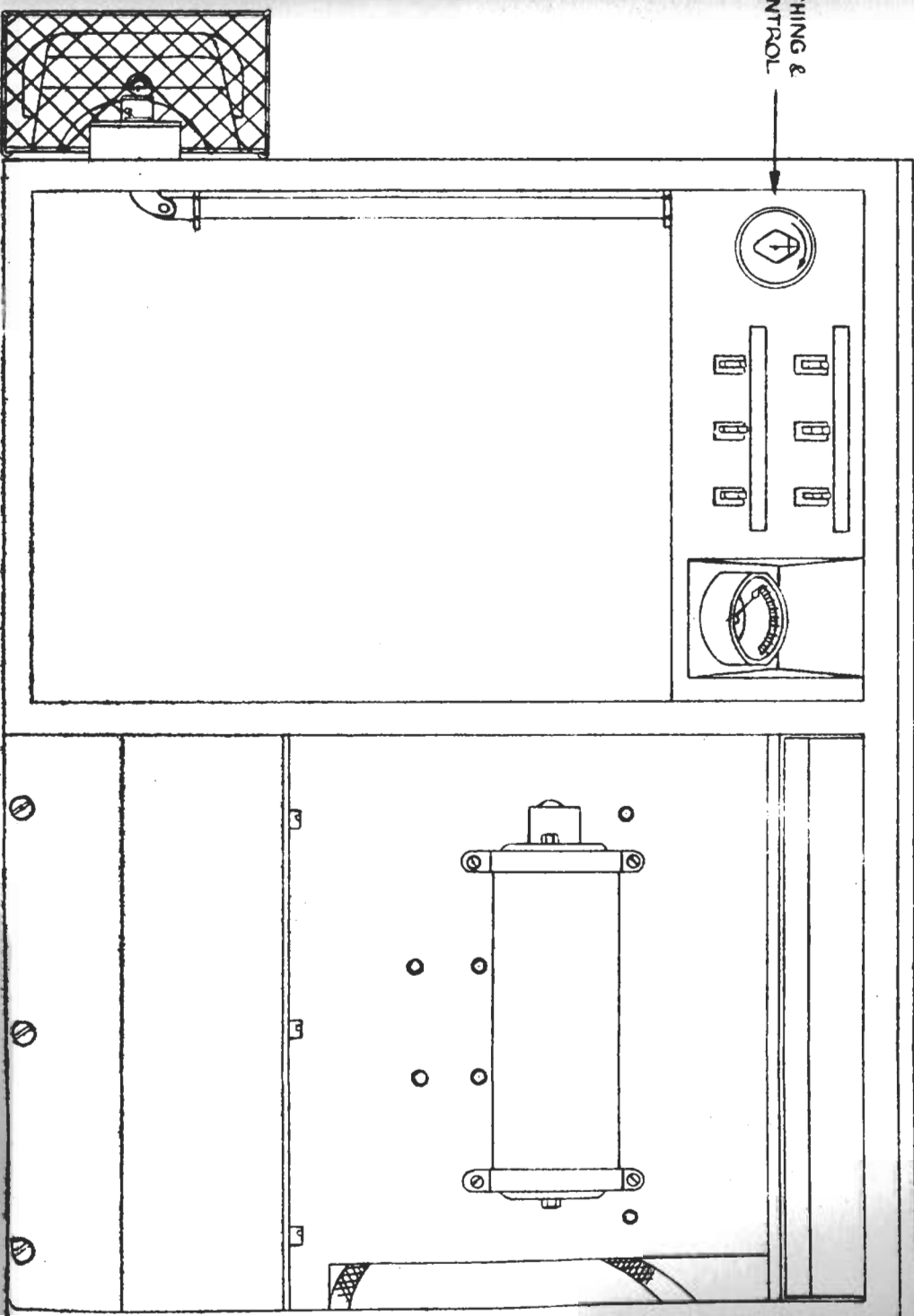
HOLDER, ROTATABLE, FOR  
CHARTS AP 56192

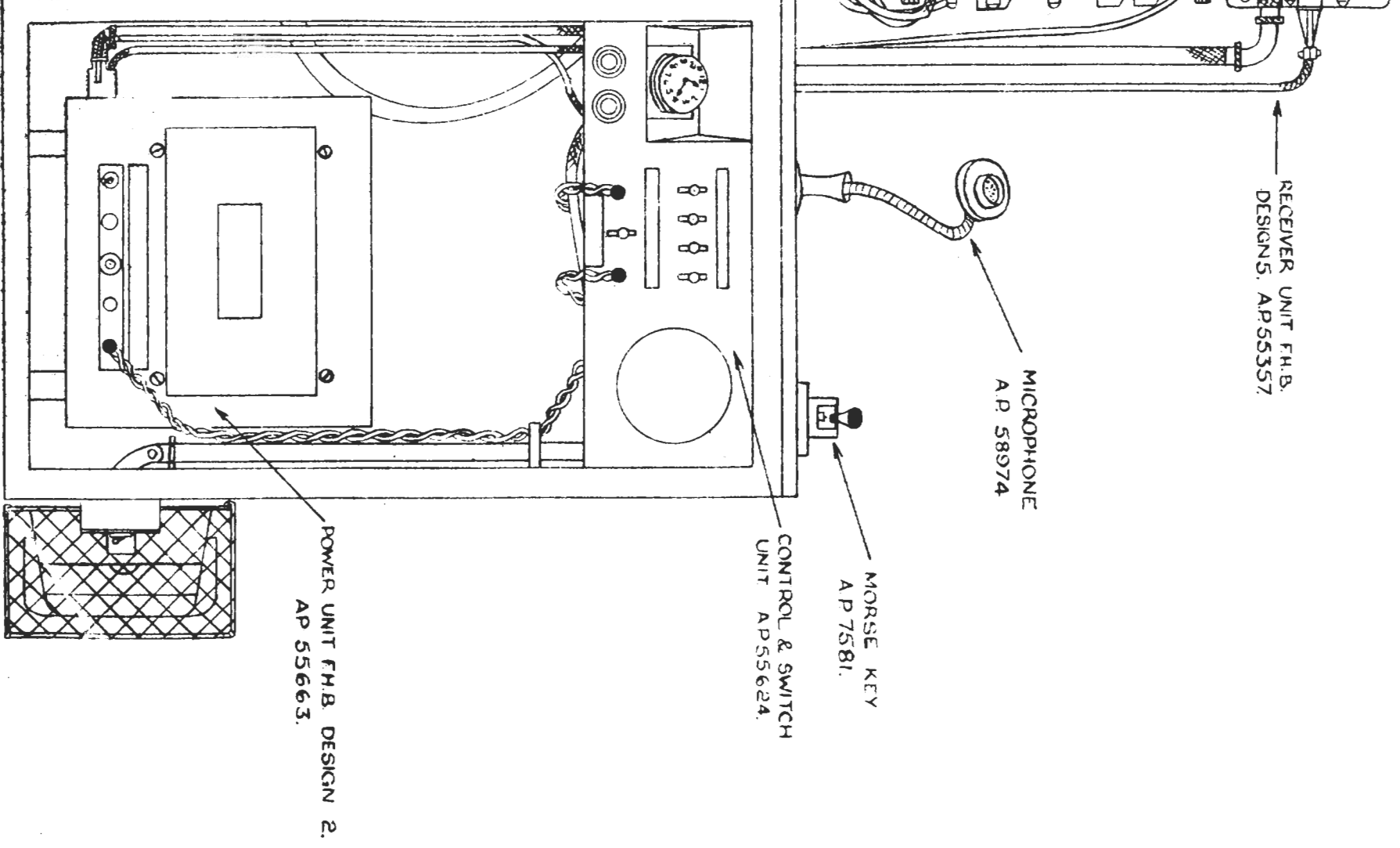
IND  
COO



FRAME WORK (LINE  
TERMINATING)  
AP 55630

R SWITCHING &  
GE CONTROL





RECEIVER UNIT F.H.B.  
DESIGN 5. AP.55557

MICROPHONE  
A.P. 58974

MORSE KEY  
A.P. 7581.

CONTROL & SWITCH  
UNIT AP.55624.

POWER UNIT F.H.B. DESIGN 2.  
AP. 55663.